



**HONINGCRAFT**  
GROUP OF COMPANIES

# CYLINDER KITS

Honingcraft stocks hydraulic cylinder kits. Our kits are readily available off the shelf to suit the gland and pistons you have. Each cylinder kit contains all the essential components necessary to fully assemble high-performance cylinders.

## IN EACH BOX YOU WILL RECEIVE:

GLAND | PISTON | END CAP

LOCK NUTS | PORTS

Glands and pistons come with seals.

## SIZES IN METRIC AND IMPERIAL:

40/20 – 120/75

Stock changes hourly so please contact Honingcraft to confirm price and availability.

View the datasheet online for a list of all the sizes we stock.



# CYLINDER KITS

## TECHNICAL DATA

CODE	GLAND	PISTON	REAR PLUG	PORTS	NUT
63/40	GDC-B 63X40	GDC-P 63X25	GDC-AK 63X75	GDC-KM 3/8"BSP	M24
	U-RING 40X50X10	63X51X20.5X4.2 COMPACT SET			
	WIPER 40X48X5/7	O RING 25X3			
	O RING 57.15X3.53				
100/65	GDC-B 100X65	GDC-P 100X40	GDC-AK 100X115	GDC-KM 1/2"BSP	M39
	U-RING 65X75X10	100X86X22.4X5.2 COMPACT SET			
	WIPER 65X75X5/7	O RING 40X4			
	O RING 90X5				
125/65	GDC-B 125X65	GDC-P 125X40	GDC-AK 125X145	GDC-KM 3/4"BSP	M39
	U-RING 65X75X10	125X103X26.5X5.1 COMPACT SET			
	WIPER 65X75X5/7	O RING 40X4			
	O RING 115X5				
125/70	GDC-B 125X70	GDC-P 125X40	GDC-AK 125X145	GDC-KM 3/4"BSP	M39
	U-RING 70X80X12	125X103X26.5X5.1 COMPACT SET			
	WIPER 70X80X5/7	O RING 40X4			
	O RING 115X5				
100/60	GDC-B 100X60	GDC-P 100X40	GDC-AK 100X115	GDC-KM 1/2"BSP	M39
	U-RING 60X70X10	100X86X22.4X5.2 COMPACT SET			
	WIPER 60X70X5/7	O RING 40X4			
	O RING 90X5				
125/80	GDC-B 125X80	GDC-P 125X40	GDC-AK 125X145	GDC-KM 1/2"BSP	M39
	U-RING 80X90X12	125X103X26.5X5.1 COMPACT SET			
	WIPER 80X92X7/12	O RING 40X4			
	O RING 115X5				
60/30	GDC-B 60X30	GDC-P 60X20	GDC-AK 60X70	GDC-KM 1/2"BSP	M20
	U-RING 30X40X8	60X48X20.5X4.2 COMPACT SET			
	WIPER 30X38X5/7	O RING 20X3			
	O RING 53.57X3.53				
100/50	GDC-B 100X50	GDC-P 100X40	GDC-AK 100X115	GDC-KM 1/2"BSP	M39
	U-RING 50X60X10	100X86X22.4X5.2 COMPACT SET			
	WIPER 50X60X5/7	O RING 40X4			
	O RING 90X5				
40/25	GDC-B 40X25	GDC-P 40X16	GDC-AK 50X60	GDC-KM 1/2"BSP	M16
	U-RING 25X35X6	40X32X15.5X3.2 COMPACT SET			
	WIPER 25X33X5/7	O RING 16X3			
	O RING 36X3				
70/35	GDC-B 70X35	GDC-P 70X25	GDC-AK 50X60	GDC-KM 3/8 "BSP	M24
	U-RING 35X45X8	70X58X20.5X4.2 COMPACT SET			
	WIPER 35X43X5/7	O RING 25X3			
	O RING 65.1X3.53				
90/50	GDC-B 90X50	GDC-P 90X30	GDC-AK 90X105	GDC-KM 3/8"BSP	M27
	U-RING 50X60X10	90X76X22.4X5.2 COMPACT SET			
	WIPER 50X60X5/7	O RING 30X3			
	O RING 84X4				
63/32	GDC-B 63X32	GDC-P 63X25	GDC-AK 63X75	GDC-KM 3/8"BSP	M24
	U RING 32X40X8	63X51X20.5X4.2 COMPACT SET			
	WIPER 32X40X5/7	O RING 25X3			
	O RING 57.15X3.35				



# CYLINDER KITS

## TECHNICAL DATA

CODE	GLAND	PISTON	REAR PLUG	PORTS	NUT
<b>63/32</b>	GDC-B 63X32	GDC-P 63X25	GDC-AK 63X75	GDC-KM 3/8"BSP	M24
	U-RING 32X40X8	63X51X20.5X4.2 COMPACT SET			
	WIPER 32X40X5/7	O RING 25X3			
	O RING 57.15X3.35				
<b>50/32</b>	GDC-B 50X32	GDC-P 50X20	GDC-AK 50X60	GDC-KM 3/8"BSP	M29
	U-RING 32X40X8	50X38X20.5X4.2 COMPACT SET			
	WIPER 32X40X5/7	O RING 20X3			
	O RING 44.45X3.53				
<b>75/40</b>	GDC-B 75X40	GDC-P 75X32	GDC-AK 75X90	GDC-KM 3/8"BSP	M39
	U-RING 40X50X10	75X55X22.4X6.35 COMPACT SET			
	WIPER 40X48X5/7	O RING 32X3			
	O RING 69.85X3.53				
<b>50/25</b>	GDC-B 50X25	GDC-P 50X20	GDC-AK 50X60	GDC-KM 3/8"BSP	M20
	U-RING 25X35X6	50X38X20.5X4.2 COMPACT SET			
	WIPER 25X33X5/7	O RING 20X3			
	O RING 44.45X3.53				
<b>80/40</b>	GDC-B 80X40	GDC-P 80X30	GDC-AK 80X95	GDC-KM 3/8"BSP	M27
	U-RING 40X50X10	80X66X22.4X5.2			
	WIPER 40X48X5/7	O RING 30X3			
	O RING 74X4				
<b>80/50</b>	GDC-B 80X50	GDC-P 70X30	GDC -AK 80X95	GDC-KM 1/4"BSP	M27
	U-RING 50X60X10	75X58X20.5X4.2 COMPACT SET			
	WIPER 50X60X5/7	O RING 30X3			
	O RING 74X4				
<b>40/20</b>	GDC-B 40X20	GDC-P 40X16	GDC-AK 40X50	GDC-KM 1/4"BSP	M16
	U-RING 20X28X5	40X32X15.5X3.2 COMPACT SET			
	WIPER 20X28X5/7	O RING 16X3			
	O RING 36X3				



## GLAND TECHNICAL PROPERTIES (CAST IRON GG25/GG26 DIN 1691)

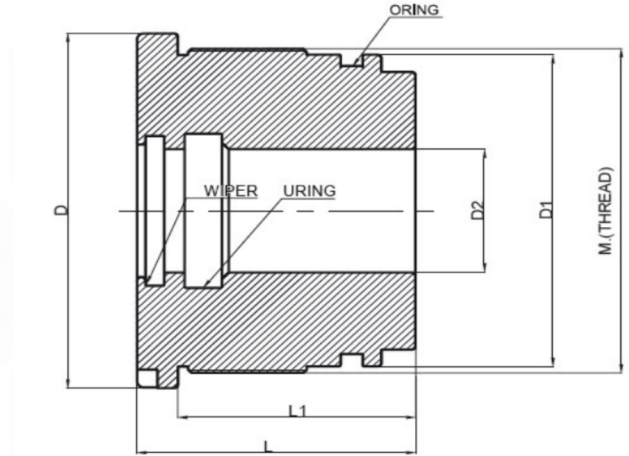
CAST IRON WITH LAMELLAR GRAPHITE FOR GENERAL PURPOSES		EQUIVALENT STANDARDS	
Tensile strength N/mm <sup>2</sup> min	250	TURKEY - TSE TS-552	DDL-25
Hardness HB	180-250	EU - EN 1561	GJL 250
Micro structure	Pearlitic (min%90)	GERMANY - DIN 1691	GG 25
Chemical analysis (For the parts with medium thickness)	C: 3.00-3.25 Si: 1.85-2.10 Mn: 0.40-0.70 S: 0.12 max P: 0.25 max	USA - ASTM A 486	Class 35 B
		G.BRITAIN - BS 1452	Grade 250
		FRANCE - NF A32-101	Ft 25 D
		ITALY - UNI 5007	GG 25
		JAPAN - JIS G 5501	FC 250

PRODUCT TYPE	WORKING PRESSURE	TEST PRESSURE	OPERATING TEMPERATURE
GG25-26 Cast Iron Glands	320 BAR	400 BAR	-30° C +100° C

### NOTE

Working and test pressure values may vary when using different seals.  
Above values are according to standard sealing.

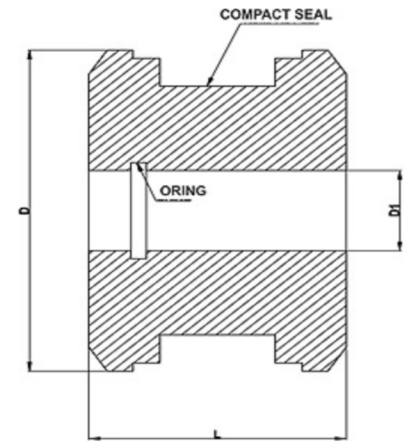
## GLAND TECHNICAL PROPERTIES (CAST IRON GG25/GG26 DIN 1691)



CODE	U-RING	WIPER	ORING	D	D1	D2	L	L1	THREAD	kg
GDC-B 40x20	20x28x5	20x28x5/7	36x3	50	41	20	40	32	45x1.5	0.300 kg
GDC-B 40x25	25x35x6	25x35x5/7	36x3	50	41	25	40	32	45x1.5	0.230 kg
GDC-B 50x25	25x35x6	25x33x5/7	44.45x3.53	60	51	25	45	37	55x1.5	0.500 kg
GDC-B 50x32	32x40x8	32x40x5/7	44.45x3.53	60	51	32	45	37	55x1.5	0.380 kg
GDC-B 60x30	30x40x8	30x38x5/7	53.57x3.53	70	61	30	52	42	65x1.5	0.830 kg
GDC-B 63x32	32x40x8	32x40x5/7	44.45x3.53	70	64	32	52	42	69x1.5	0.840 kg
GDC-B 63x40	40x50x10	40x48x5/7	57.15x3.53	75	64	40	52	42	69x1.5	0.740 kg
GDC-B 70x35	35x45x8	35x43x5/7	65.10x3.53	85	71	35	63	52	75x2	1.410 kg
GDC-B 75x40	40x50x10	40x48x5/7	69.85x3.53	90	76	40	63	52	80x2	1.520 kg
GDC-B 80x40	40x50x10	40x48x5/7	74x4	95	81	40	63	52	85x2	1.790 kg
GDC-B 80x50	50x60x10	50x60x5/7	74x4	95	81	50	63	52	85x2	1.450 kg
GDC-B 90x50	50x60x10	50x60x5/7	84x4	105	91	50	63	52	95x2	2.070 kg
GDC-B 100x50	50x60x10	50x60x5/7	90x5	115	101	50	82	70	105x2	3.610 kg
GDC-B 100x60	60x70x10	60x70x5/7	90x5	115	101	60	82	70	105x2	3.060 kg
GDC-B 100x65	65x75x10	65x75x5/7	90x5	115	101	65	82	70	105x2	2.760 kg
GDC-B 125x65	65x75x10	65x75x5/7	115x5	145	126	65	82	70	130x2	5.490 kg
GDC-B 125x70	70x80x12	70x80x5/7	115x5	145	126	70	82	70	130x2	5.190 kg
GDC-B 125x80	80x90x12	80x92x7/12	115x5	145	126	80	82	70	130x2	4.430 kg



## PISTON TECHNICAL PROPERTIES (STEEL SAE 1040 / SAE 1050)

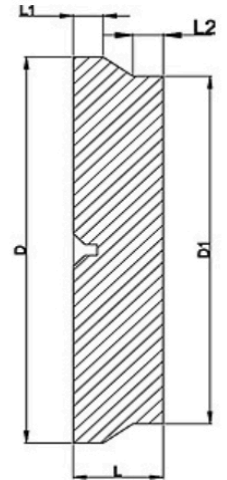


CODE	U-RING	ORING	D	D1	L	kg
GDC-P 40x16	40x32x15 5x3.20	16x3	40	16	40	0.250 kg
GDC-P 50x20	50x38x20.5x4.20	20x3	50	20	40	0.330 kg
GDC-P 60x20	60x48x20.5x4.20	20x3	60	20	40	0.570 kg
GDC-P 63x25	63x51x20.5x4.20	25x3	63	25	40	0.580 kg
GDC-P 70x25	70x58x20.5x4.20	25x3	70	25	40	0.790 kg
GDC-P 70x30	70x58x20.5x4.20	30x3	70	30	40	0.720 kg
GDC-P 75x32	75x55x22.4x6.35	32x3	75	32	50	0.900 kg
GDC-P 80x30	80x66x22.4x5.20	30x3	80	30	50	1.280 kg
GDC-P 90x30	90x76x22.4x5.20	30x3	90	30	50	1.750 kg
GDC-P 100x40	100x86x22.4x5.20	40x4	100	40	50	2.050 kg
GDC-P 125x40	125x103x26.5x5.10	40x4	125	40	50	3.290 kg





## END CAP TECHNICAL PROPERTIES



CHEMICAL PROPERTIES	MATERIAL	W. No	C%	Mn %	Si %
	SAE 1040	1.1186	0.97-0.44	0.50-0.80	0.40
	SAE 1050	1.206	0.47-0.55	0.60-0.90	0.40

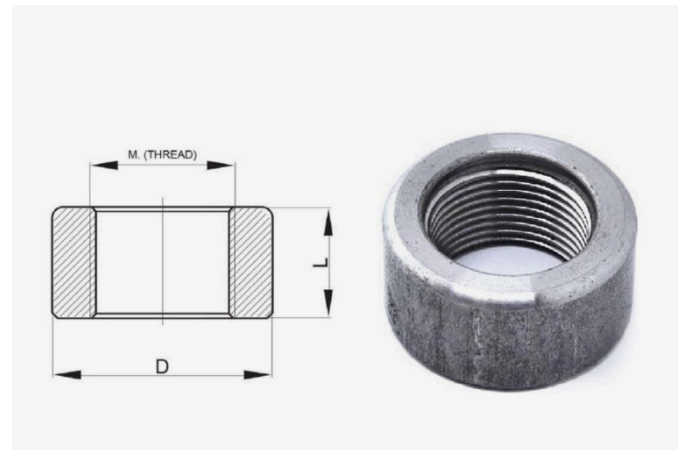
PRODUCT TYPE	WORKING PRESSURE	TEST PRESSURE	OPERATING TEMPERATURE
SAE 1040/1050 Gland	400 BAR	600 BAR	-30° C +150° C

CODE	L	L1	L2	D	D1	kg
GDC-AK 40x50	15	5	5	50	40	0.180 kg
GDC-AK 50x60	15	5	5	60	50	0.270 kg
GDC-AK 60x70	15	5	5	70	60	0.380 kg
GDC-AK 63x75	15	5	5	75	63	0.430 kg
GDC-AK 75x90	15	5	5	90	75	0.620 kg
GDC-AK 80x95	15	5	5	95	80	0.690 kg
GDC-AK 90x105	20	9	5	105	90	1.170 kg
GDC-AK 100x115	20	9	5	115	100	1.400 kg
GDC-AK 125x145	20	9	5	145	125	2.240 kg

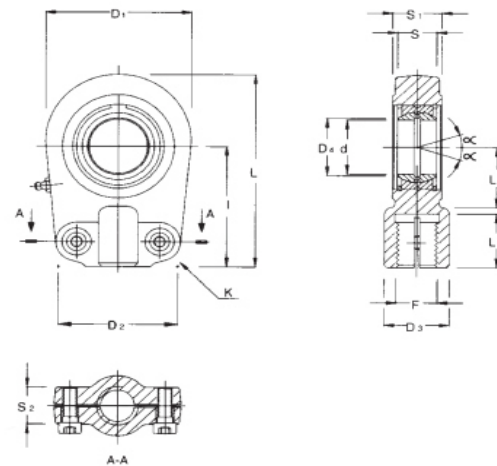


## BSP WELDABLE PORT

CODE	THREAD	L	D	Kg
GDC-KM	R1/4-19	14	22	0.018 kg
GDC-KM	R3/8-19	14	26	0.034 kg
GDC-KM	R1/2-14	17	32	0.055 kg
GDC-KM	R3/4-14	20	40	0.113 kg
GDC-KM	R1"-11	23	45	0.185kg



## BOLT FASTENING ROD SIDE CLEAVISES

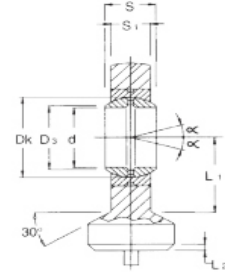
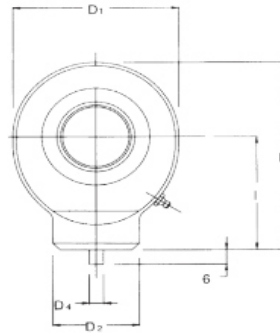


CODE	D	I	S	LP	D1	LP	D3	D1	S1	S2	D	S1	F	a	THREAD	kg
PR 20 U	20	50	16	17	56	46	25	24.1	19	21	80	25	M16x1.5	9	M8x20	0.450 kg
PR 25 U	25	50	20	17	56	46	25	29.3	23	21	80	28	M16x1.5	7	M8x20	0.490 kg
PR 30 U	30	60	22	23	64	50	32	34.2	28	26	94	30	M22x1.5	6	M8x25	0.760 kg
PR 35 U	35	70	25	29	78	66	40	39.7	30	28	112	38	M28x1.5	6	M10x30	1.260 kg
PR 40 U	40	85	28	36	94	76	49	45	35	33	135	45	M35x1.5	7	M10x35	2.150kg
PR 50 U	50	105	35	46	116	90	61	56	40	37	138	55	M45x1.5	6	M12x40	3.800 kg
PR 60 U	60	130	44	59	130	120	75	66.8	50	46	200	65	M58x1.5	6	M16x45	6.200 kg



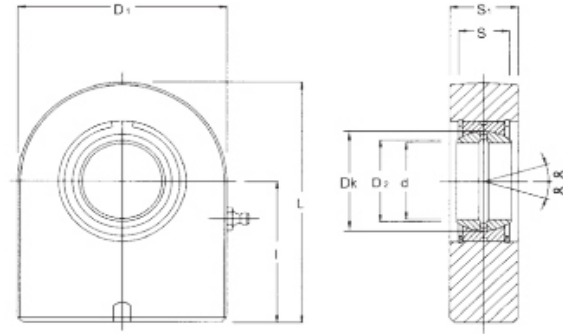


## WELDABLE ROD SIDE CLEVISES



CODE	D	I	S	D1	D2	D3	D4	S1	L	L1	L2	a	kg
S 20 C	20	38	16	53	27.5	24.1	4	13	64.5	27.5	3	9	0.260 kg
S 25 C	25	45	20	65	33.5	29.3	4	17	77	33	4	7	0.450 kg
S 30 C	30	50	22	73	40	34.2	4	19	87.5	37.5	4	6	0.670 kg
S 35 C	35	61	25	82	47	39.7	4	21	102	43	4	6	1.020 kg
S 40 C	40	69	28	92	52	45	4	23	115	48	5	7	1.400 kg
S 50 C	50	88	35	112	62	56	6	30	144	59	6	6	2.690 kg
S 60 C	60	100	44	137.8	70	66.8	6	38	167.5	72.5	8	6	4.600 kg

## WELDABLE ROD SIDE CLEAVISES



CODE	d	s	l	D1	D2	S1	L	a	kg
S 20 N	20	16	38	50	24.1	19	63	9	0.360 kg
S 25 N	25	20	45	55	29.3	23	72.5	7	0.530 kg
S 30 N	30	22	51	65	34.2	28	83.5	6	0.850 kg
S 35 N	35	25	61	83	39.7	30	102.5	6	1.500 kg
S 40 N	40	28	69	101	45	35	119	7	2.420 kg
S 50 N	50	35	88	123	56	40	149.5	6	4 240 kg
S 60 N	60	44	100	140	66.8	50	170	6	7.100 kg